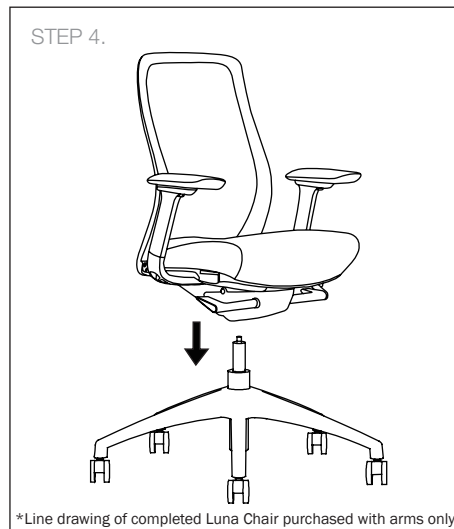
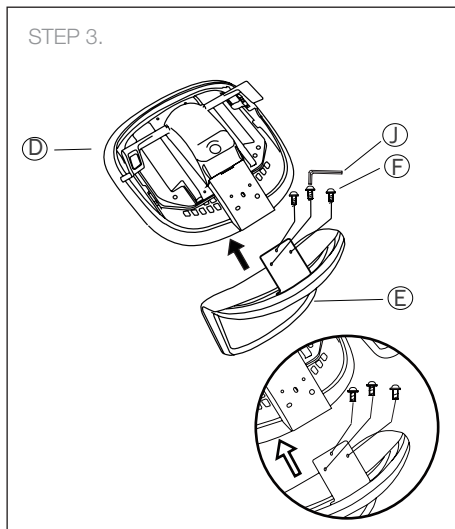
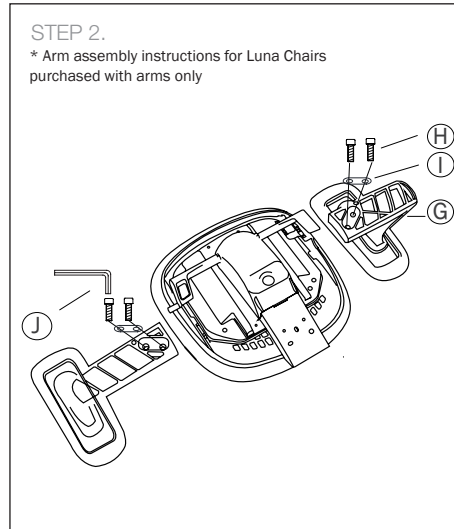
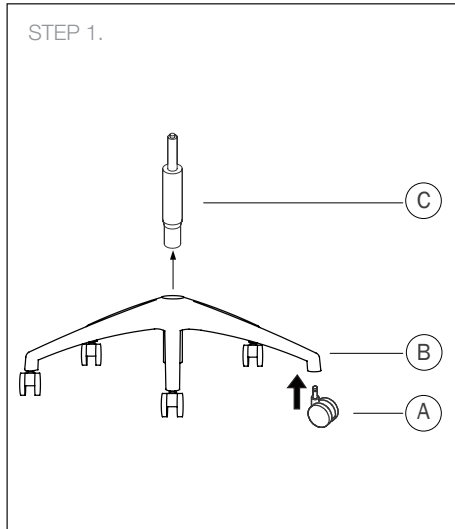


Assembly, Operating & Maintenance Instructions

KONFURB LUNA CHAIR

Remove all items from the carton. Verify all pieces before assembly.



PART LIST

KEY	QTY	DESCRIPTION
A	5	Castors
B	1	Base
C	1	Gas Lift
D	1	Seat & Mechanism
E	1	Backrest
F	3	Backrest Screws (M8*16mm)
G*	2	Armrests
H*	4	Arm Screws (M8*30mm)
I*	2	Arm Washers
J	1	Allen Wrench

*Parts required for Luna Chairs purchased with arms only

CARE & MAINTENANCE

GENERAL CARE

To maintain the appearance of non-upholstered parts wipe the surface with a clean cloth dampened with a mild detergent solution. Do not remove any parts for separate cleaning. Do not saturate the fabric or interior with water or other cleaning liquids. Do not shampoo clean. Do not clean with hot water extraction machine. Do not clean with onsite drycleaning machine. Protect from direct sunlight, heat and weather.

FABRIC UPHOLSTERY CARE

Wipe with a clean cloth dampened with a mild upholstery detergent solution. A soft bristle brush may be used to remove ingrained soil. Spot clean as above. Treat spills and stains as soon as possible. Persistent stains may require treatment by a professional cleaner. May be cleaned with dry powder cleaners. Allow to dry thoroughly before reuse.

UPHOLSTERY & FOAM SPECS*

FOAM

Flame Resistant: Ca117 Section A Part I & Section D Part II

UPHOLSTERY: FABRIC

Flame Resistance: Ca117 Section E Class I

MECHANISM OPERATION INSTRUCTIONS.

NOTE: do not operate the mechanism levers unless properly seated in the chair.

(A) SEAT HEIGHT ADJUSTMENT:

Lift paddle up. Release paddle when desired position is reached.

(B) TILT TENSION ADJUSTMENT HANDLE:

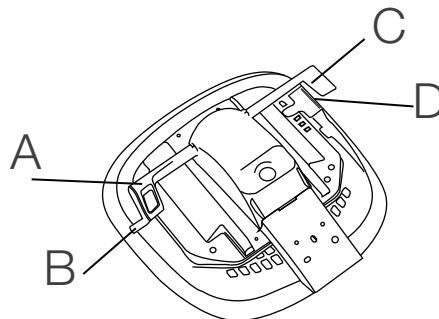
Rotate handle clockwise/counterclockwise for more or less back tilt resistance.

(C) BACK TILT ADJUSTMENT:

Lift paddle to engage the backrest tilt. To lock to the desired position, push paddle down.

(D) SEAT DEPTH ADJUSTMENT:

Pull out handle and move the seat forward or backward to desired seat depth position. Release handle to disengage.



*This applies only to standard Konfurb stock. Any customer specified upholstery may not meet these specifications.

RECOMMENDED SEATING POSITION & OPERATING INSTRUCTIONS:

- Sit in the chair to operate the chair functions.
- Lift the right hand inside paddle (A) to lower the seat to the desired seat height position. To raise the seat, lift the right hand paddle while supporting your own weight off the seat.

NOTE: A suitable seat height position maybe influenced by your working environment e.g. the height of the work surface. Your forearms should be close to horizontal as possible when working at your work surface & your feet should be resting flat on the floor or a solid surface.
- Adjust the lumbar support to give support to the lumbar region of your back.
- Pull out left hand handle (D) and slide the seat forwards or rearwards to achieve optimum leg support and sitting position.

NOTE: A suitable seat depth position maybe achieved when your back is well supported by the chair back/lumbar support. For good circulation, your lower legs should form a 90° angle with the floor, with your feet taking the weight of your legs.
- Adjust & lock the synchronised seat & back tilt angle to the desired position to achieve a firm back support and comfortable seating position while sitting upright. To RELEASE the tilt mechanism for free floating angle movement, lift up the left hand paddle (C), then lean back into the chair to disengage the lock. To LOCK the tilt mechanism, push down the left hand paddle.

NOTE: A suitable upright seating position maybe achieved, when your seated position is horizontal or inclined slightly forward, to allow an angle greater than 90° at the knees and the hips.
- When the chair is in free floating mode (refer Step 5), rotate the right hand handle (B) to adjust the back tension to the optimum level of effort required to tilt the chair back easily. Turn the handle forwards for more resistance or rearwards for less resistance.

PREVENTATIVE MAINTENANCE & WARNING!

- Use this product only for seating one person at a time.
- Do not use this chair as a step stool/ladder.
- Do not sit on any part of the chair except the seat.
- Do not use this chair on uneven floor surfaces.
- Do not interfere with the operating of the gas lift.
- Do not use chair unless all bolts, screws and knobs are tight. At least every six months check all bolts, screws and knobs to ensure they are tight.
- If any parts are missing, broken, damaged or worn do not use the product until repairs are made using factory authorised parts.
- Dispose of packaging properly.
- Plastic bag is not a toy.
- Do not use plastic bag as a head covering as it may cause suffocation.
- Failure to follow these warnings could result in serious injury.